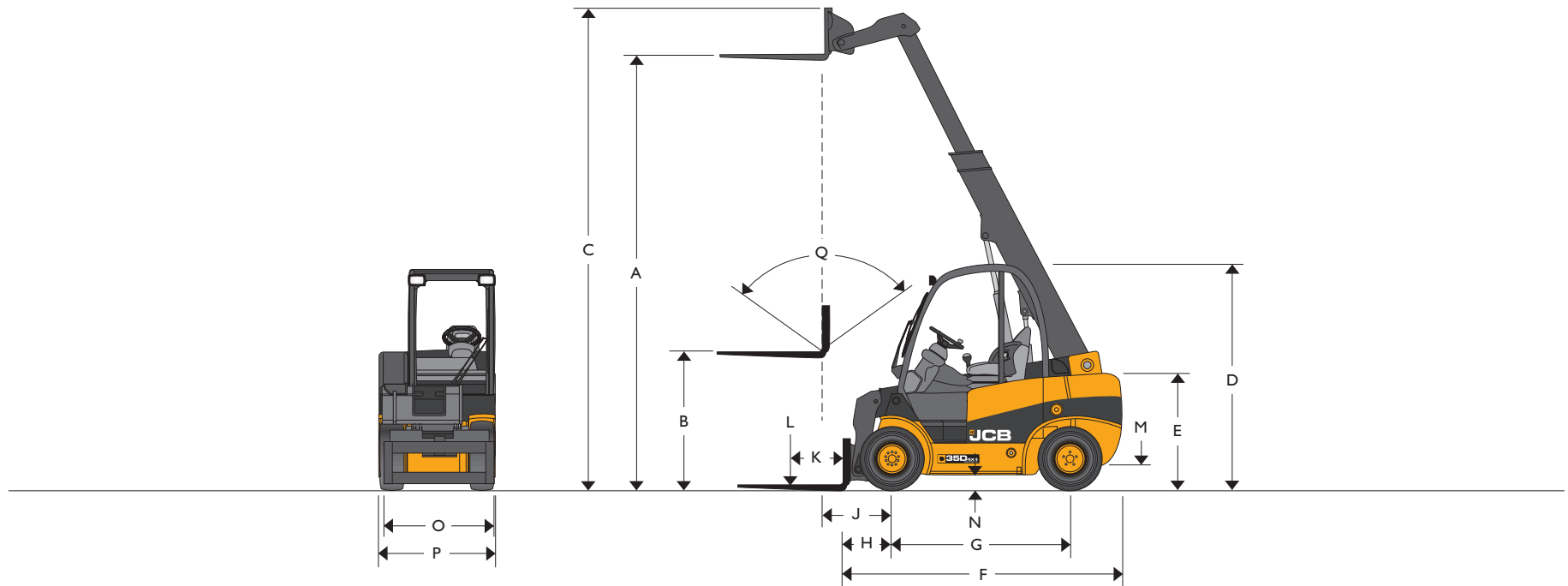




ENGINE FUEL TYPE: DIESEL LIFT CAPACITY: UP TO 7,700 lb MAX HORSEPOWER: 60 hp Tier III Engine



STATIC DIMENSIONS

Model		TLT 35D 4X4	Model		TLT 35D 4X4		
A	Lift Height	in (mm)	171 (4343)	J	Distance from c/l of Front Axle to Fork Face (at full height)	in (mm)	30 (762)
B	Free Lift (standard)	in (mm)	53 (1346)	K	Load Center	in (mm)	20 (508)
C	Height Boom Extended	in (mm)	202 (5131)	L	Lift Capacities (with sideshift)	lb (kg)	7700 (3493)
D	Height of Overhead Guard (std/low)	in (mm)	90.5/86.5 (2299/2197)	M	Ground Clearance (lowest point)	in (mm)	6.8 (173)
E	Height of Operator's Seat (high/low)	in (mm)	49/48 (1245/1219)	N	Ground Clearance Wheelbase Center	in (mm)	6.8 (173)
F	Length to Fork Face	in (mm)	125 (3175)	O	Fork Carriage Width	in (mm)	48 (1219)
G	Wheelbase	in (mm)	81 (2057)	P	Maximum Width of Machine	in (mm)	55 (1397)
H	Distance from c/l of Front Axle to Fork Face (at ground level)	in (mm)	24 (610)	Q	Carriage Tilt Total* f/b Variable Through Lift Arc	degrees	111



GENERAL SPECIFICATION

Model	TLT 35D 4X4	
Engine Type	Diesel	
Emissions Certification	EPA Tier III (EU Stage 3)	
Engine Manufacturer	Deutz	
Engine Model	2011-L04W	
Engine Output (gross power)	hp (kW)	60 (46)
Rated rpm	2600	
Number of Cylinders	4	
Cubic Capacity	cu-in ³ (cm ³)	135 (3620)
Working Pressure for Attachments	psi (bar)	2465 (170)
Oil Flow for Attachments	gal/min (l/min)	19
Max Reach Ground Level (21 in load center)	in (mm)	94 (2400)
Max Reach Boom Horizontal (21 in load center)	in (mm)	96 (2450)
Turning Radius	in (mm)	138 (3500)
Aisle Width 90° Stacking	in (mm)	200/207 (5060/5260)
Weight Unladen	lb (kg)	12,125 (5500)
Travel Speed (standard)	mph (km/h)	6/12 (9.7/19.3)
Gradeability (laden/unladen)	%	25/23
Transmission	TCR Hydrostatic	
Park Brake Type	Hand Operated	
Bucket Rated Capacity	ft ³ (m ³)	21 (0.6)
Bucket Struck Capacity	ft ³ (m ³)	17.5 (0.5)
Bucket Dump Height (30°)	in (mm)	105 (2680)
Bucket Rollback Angle at Ground	degrees	33
Bucket Width	in (mm)	54 (1385)
Tire Size Front (standard) Pneumatic	27 x 10-12	
Tire Size Rear (standard) Pneumatic	27 x 10-12	

STANDARD FEATURES

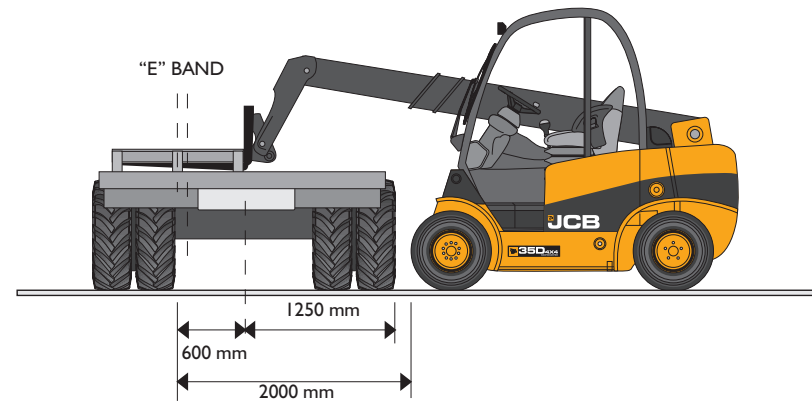
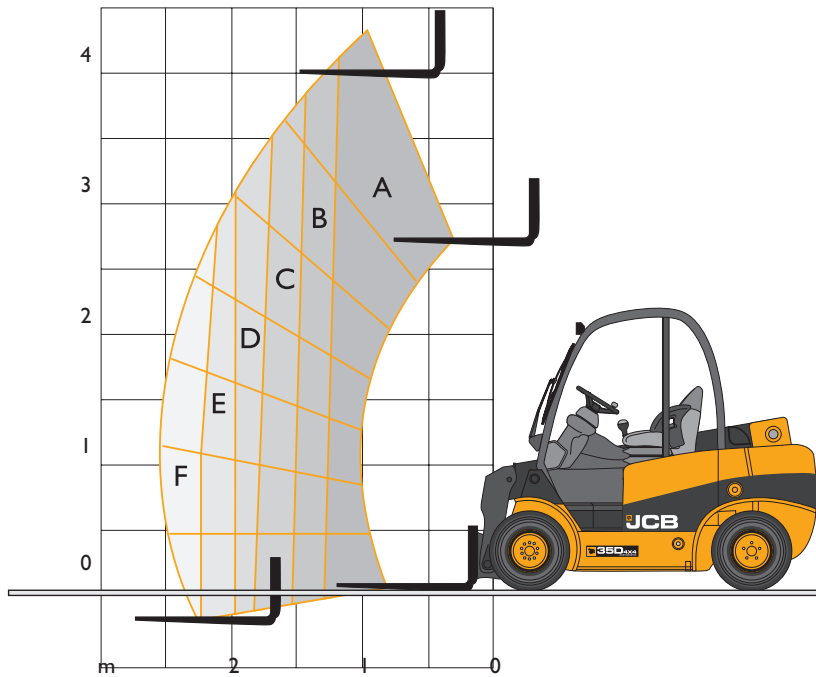
- All wheel drive with selectable traction control.
- Two drive modes for general work and gradient.
- Excellent turning radius @ 138 in and good ground clearance @ 6.8 in.
- Short overall length @ 126 in.
- Lift capacity 7,700 lb.
- Power unit 60 hp turbo-charged diesel.
- JCB 'TCR' torque converter response transmission.
- 111 degree carriage tilt.
- Superb forward visibility.
- Comfortable operator's enclosure structure fully meets international safety standards for (ROPS) Roll-Over Protection and (FOPS) Falling Object Protection.
- Seat belt and hip restraint on fully adjustable seat.
- Load moment indicator.
- Self levelling forks.
- Hose-burst-check valves on tilt, lift, and extension ram circuits.
- Front screen guard.
- Excellent service access to major components.
- Battery isolator.
- Security etched glazing.
- Working lights front and rear.

OPTIONS

Over 100 build options, including:

- Choice of pneumatic or foam filled tyres.
- Lightweight re-handling shovel.
- 'Trapdoor' shovel for loading/filling big bags in single operation.
- Quick disconnect system for easy changing between attachments.
- Sideshift carriage and various forks.
- Range of load guards, attachments, exhaust purification systems, etc.
- Various operator environments: safety mesh to operator's right, glazing to front/rear/top. Full cab with door and heater.
- Vinyl or fabric seat in high/standard/low versions.
- Roadlights.

LIFT CAPACITIES



A	B	C	D	E*	F
7,700 lb	6,600 lb	6,000 lb	5,290 lb	4,400 lb	3,300 lb

*Plain or integral carriage only, capacity reduced by 440 lb to 3,960 lb with sideshift fitted.



A GLOBAL COMMITMENT TO QUALITY

JCB's total commitment to its products and customers has helped it grow from a one-man business into one of the world's largest manufacturers of backhoe loaders, crawler excavators, wheeled excavators, telescopic handlers, wheeled loaders, dump trucks, rough terrain fork lifts, industrial fork lifts, mini/midi excavators, skid steer loaders and tractors.

By making constant and massive investments in the latest production technology, the JCB factories have become some of the most advanced in the world.

By leading the field in innovative research and design, extensive testing and stringent quality control, JCB machines have become renowned all over the world for performance, value and reliability.

And with an extensive dealer sales and service network in over 150 countries, we aim to deliver the best customer support in the industry.

Through setting the standards by which others are judged, JCB has become one of the world's most impressive success stories.



JCB Headquarters Savannah, 2000 Bamford Blvd, Savannah, GA 31322 Tel: (912) 447-2000 Fax: (912) 447-2299 www.jcb.com

JCB reserves the right to change design, materials and/or specifications without notice. Specifications are applicable to units sold in the United States and Canada. The JCB logo is a registered trademark of J C Bamford Excavators Ltd.